

Engine	Cummins QSB6.7
Gross Power	168 kW (225 hp) @ 2,200 rpm
Net Power	160 kW (215 hp) @ 2,200 rpm
Operating Weight	17,800 kg
Standard Bucket Size	3.3 m ³
Standard Breakout Force	180 kN
Standard Dump Clearance	2,948 mm

856H

WHEEL LOADER

 **LIUGONG**



TOUGH WORLD. TOUGH EQUIPMENT.

856H SPECIFICATIONS >>>

ENGINE

Emission Regulation	Tier 4F/Stage IV
Make	Cummins
Model	QSB6.7
Gross Power	168 kW (225 hp) @ 2,200 rpm
Net Power	160 kW (215 hp) @ 2,200 rpm
Peak Torque	950 N · m
Displacement	6.7 L
Number of Cylinder	6
Aspiration	Turbocharged & Air-to-air intercooled

TRANSMISSION

Transmission Type	Countershaft, power shift
Torque Converter	Single stage, three elements
Maximum Travel Speed, fwd	38.1 km/h
Maximum Travel Speed, rev	23.9 km/h
Number of Speed, fwd	4
Number of Speed, Rev	3

AXLES

Differential Front Type	Limited slip
Differential Rear Type	Limited slip
Axle Oscillation	±12°

STEERING

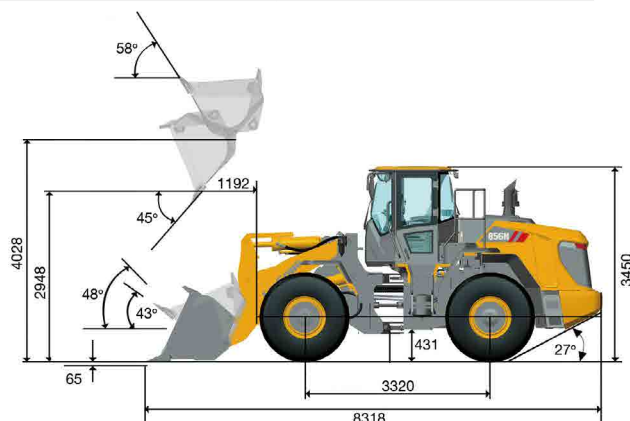
Steering Configuration	Articulated
Steering Relief Pressure	19 MPa

BRAKES

Service Brake Type	Wet discs brake
Service Brake Actuation	Hydraulic
Parking Brake Type	Manual electronic control
Parking Brake Actuation	Hydraulic

HYDRAULIC SYSTEM

Main Pump Type	Piston
Main Relief Pressure	22 MPa
Raise	5.7 s
Dump Time	1.3 s
Float Down Time	3 s
Fastest Total Cycle Time	10 s



LOADER ARM PERFORMANCE

Tipping Load - Straight	12,700 kg
Tipping Load - Full Turn	10,900 kg
Bucket Breakout Force	180 kN
Maximum Dump Angle at Full Height	45°
Dump Clearance at Full Height Discharge	2,948 mm
Dump Reach at Full Height Discharge	1,192 mm
Maximum Hinge Pin Height	4,028 mm
Maximum Digging Depth, Bucket Level	65 mm
Bucket Rollback at Ground Level	43°
Bucket Rollback at Carry	48°
Bucket Rollback at Maximum Height	58°

BUCKET PERFORMANCE

Reference Bucket	3.3 m ³
------------------	--------------------

DIMENSIONS

Length with Bucket Down	8,318 mm
Width Over Tires	2,750 mm
Wheelbase	3,320 mm
Wheel Tread	2,150 mm
Ground Clearance	431 mm
Turn Angle, Either Side	38°
Rear Angle of Departure	27°
Turning Radius, Outside of Tire	6,205 mm
Turning Radius, Center of Tire	5,896 mm
Turning Radius, Bucket Carry	6,954 mm

TIRES

Tire Size	23.5 R 25
-----------	-----------

OPERATING WEIGHTS

Operating Weight	17,800 kg
------------------	-----------

SERVICE CAPACITY

Fuel Tank	300 L
Engine Oil	20 L
Cooling System	42 L
Hydraulic System	236 L
Transmission and Torque Converter	45 L
Axles, Each	44 L

